



KCE-F Silver Series

CEILING MOUNT TYPE

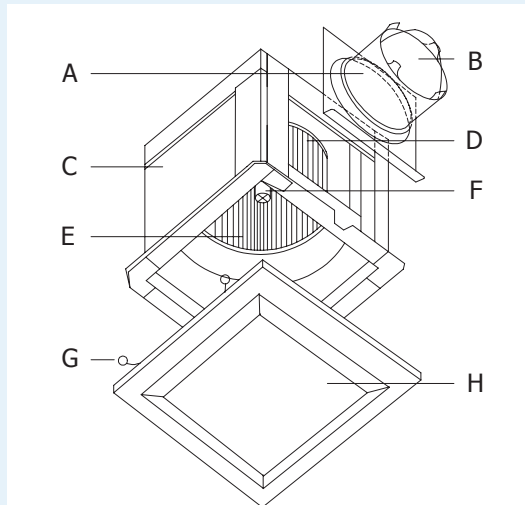


CEILING MOUNT TYPE – KCE-F Silver Series

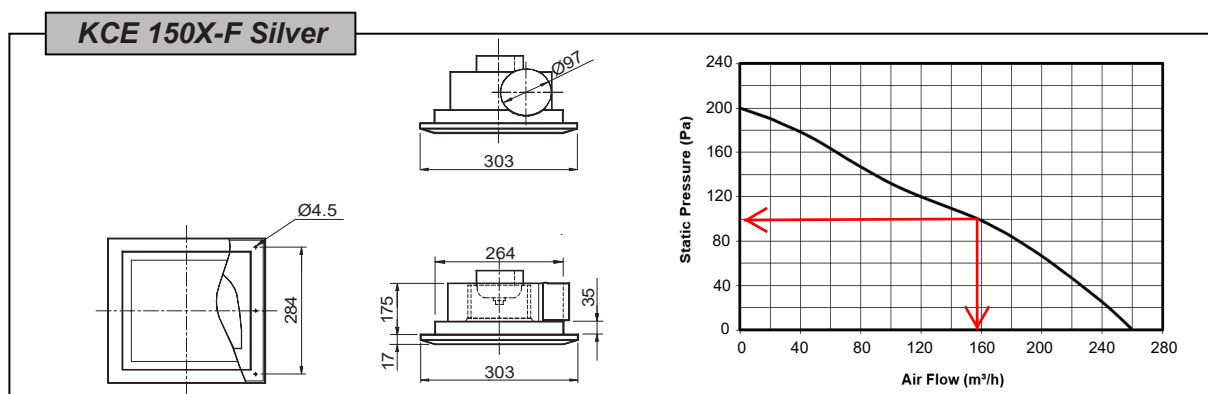
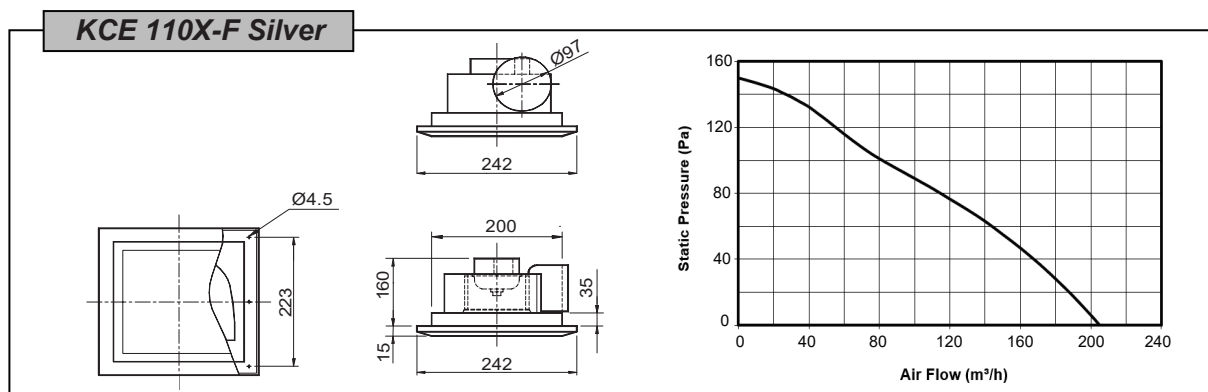
KRUGER

Features

- A. Round spigot opening for easy connection to flexible hose.
- B. Non return flap to prevent back-flow.
- C. Body made of high impact ABS plastic.
- D. Balanced turbine with new wide angle, curved blade for quiet operation and high air volume.
- E. High static pressure design for ducted air handling.
- F. Capacitor operated motor with thermal switch.
- G. Spring clip on front cover easily removable for cleaning.
- H. Modern discreet designed cover in silver.



Performance



Technical Data

Model	Max. Flow m ³ /h	Max. Press. Pa	N° Poles	Power W	Hz	dB	RPM	Weight kg
KCE 110X-F Silver	205	150	4	30	50	42	1250	1.3
KCE 150X-F Silver	260	200	4	30	50	43	1250	1.7

The company is always improving and developing its products, therefore the company reserves the right of making changes to the illustrated products. Certified dimension can be provided upon request.